

# Classic Edge 300, 560, 760, 960



# CLASSIC EDGE™

Outdoor Wood Boiler

## 92% EFFICIENT

- |             |           |
|-------------|-----------|
| Less        |           |
| • Cutting   | • Expense |
| • Splitting | • Work    |
| • Loading   |           |
| More        |           |
| • Free Time | • Money   |

\*Compared to traditional and some other methods of wood heating.



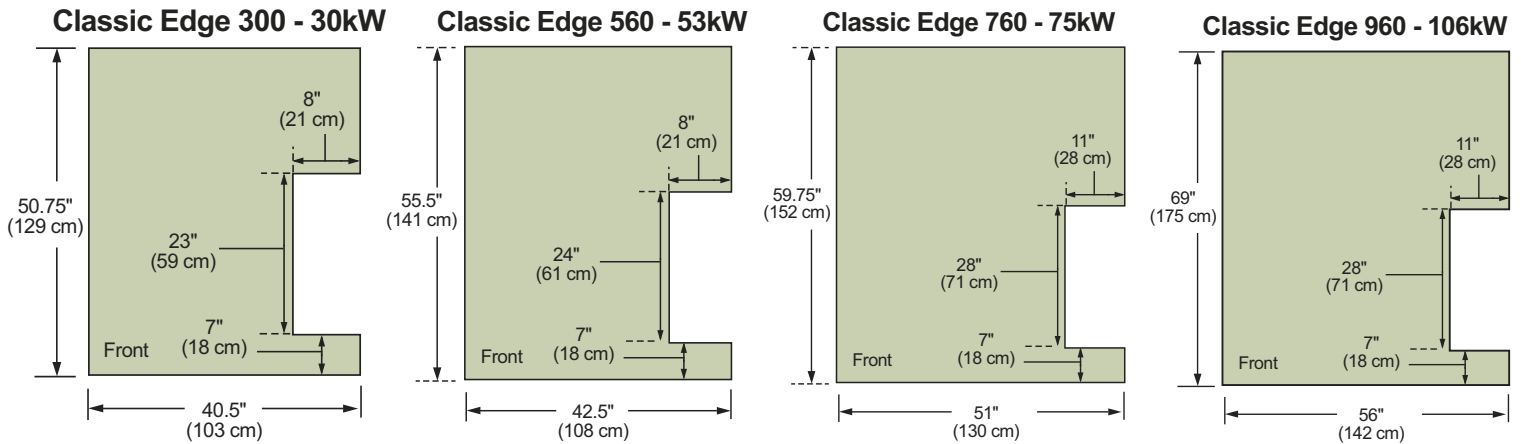
## THE ULTIMATE WOOD HEAT

Keep **as warm as you want** and use up to **50% less wood** with a Classic Edge, clean burning outdoor wood boiler **with built in buffer** from the leading manufacturer of outdoor woodburning boilers.

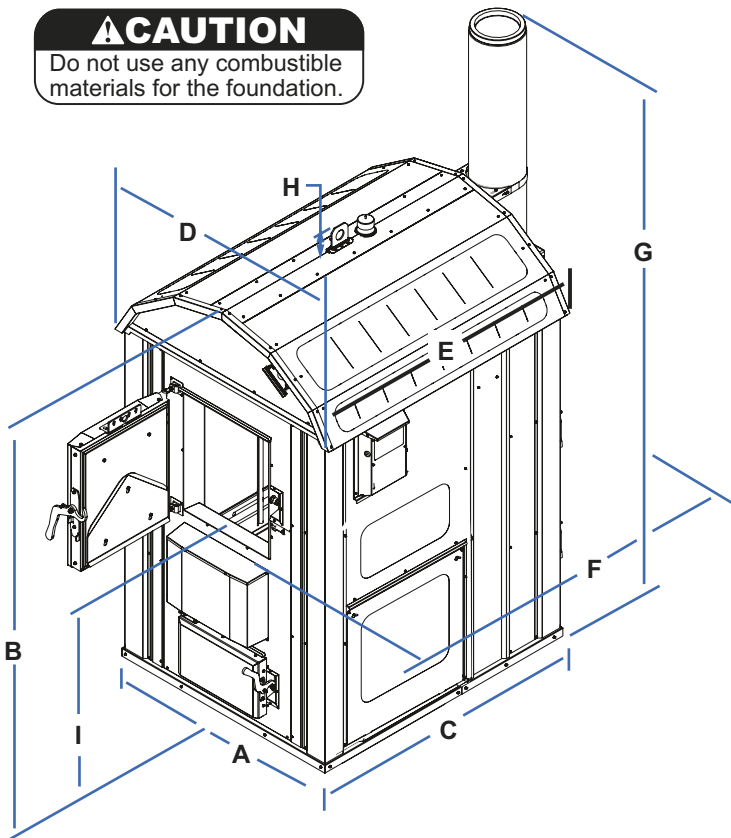


[central-boiler.co.uk](http://central-boiler.co.uk)

# Classic Edge Furnace Base and Dimensions



**CAUTION**  
Do not use any combustible materials for the foundation.



**Save on fuel bills** with the Classic Edge range of outdoor gasification woodburning boilers from Central Boilers which make heating with wood as simple as it gets, suitable for domestic and commercial installations.

- Simple installation onto a hard-standing, working independently or with existing boiler backup via pump and heat-exchanger.
- Heat single or multiple buildings.
- 90%+ efficient with integral buffer, and single-phase electricity supply.
- Automatic ember re-ignition from idling.
- Large firebox for ease of loading = less wood cutting.
- FireStar "cruise" controller provides remote monitoring capability.
- Easy to install, easy to use, easy to maintain.



FireStar keeps you in constant contact with your Central Boiler boiler if you're away. It can even tell you when to add wood. View operational information and receive text alerts on your smartphone.

Phone not included.

Classic Edge Measurements									
	A	B	C	D	E	F	G	H	I
<b>Classic Edge 300</b>	40.5"	72"	50.75"	43"	51.5"	69"	150"	5"	38"
<b>Classic Edge 560</b>	42.5"	76"	55.5"	45"	56"	73.5"	151"	5"	37.5"
<b>Classic Edge 760</b>	51"	84.75"	59.75"	53.5"	60.5"	79"	164"	5"	39"
<b>Classic Edge 960</b>	56"	87.5"	69"	58.5"	70"	89.5"	163"	5"	39"

- Measurement (F) is from firebox door to chimney inspection cover.  
- Measurement (G) includes two 4 ft. chimney sections.

Outdoor furnace must be installed on a noncombustible surface or foundation that incorporates an enclosure that will prevent supply and return lines from possible exposure to sunlight, fire, or physical damage that may be caused by an occurrence outside the outdoor furnace enclosure. Foundation may consist of concrete, crushed rock, or patio blocks.

